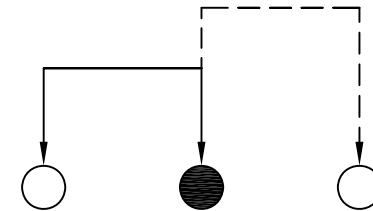
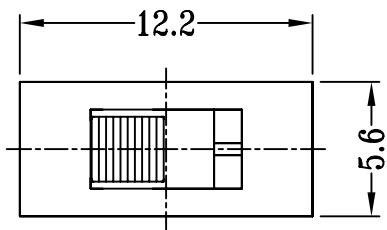
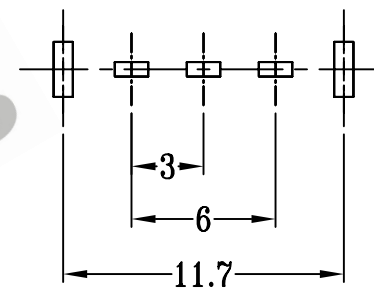
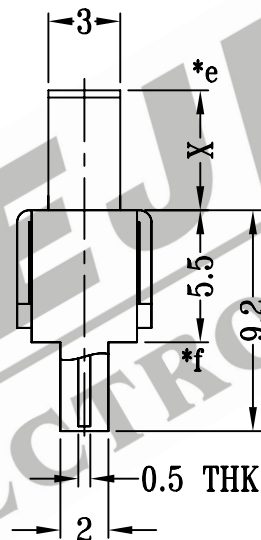
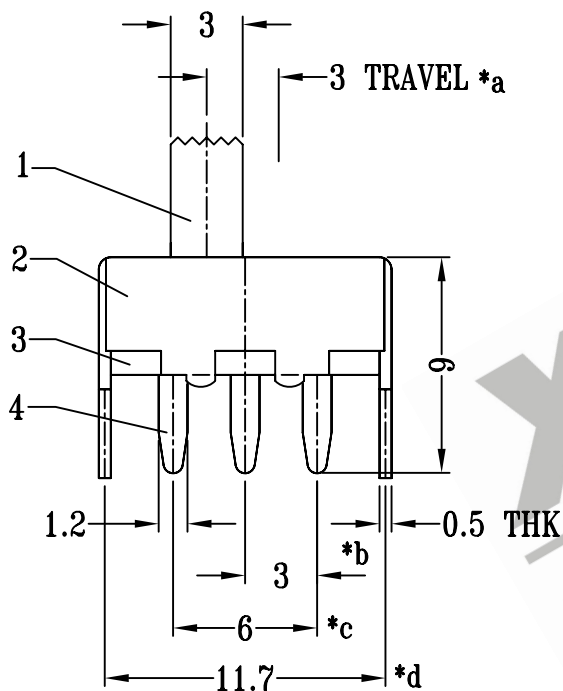




CAD FILE:



SCHEMATIC (NON-SHORTING)



P.C.B LAYOUT

注:带"\*"表示关键尺寸(6个)

NO.	PARTS	MATERIALS	Q'TY	FINISH	TOLERANCE UNLESS SPECIFIED	SHENZHEN XIEJIA ELECTRONICS CO.,LTD.				
8					WITHIN: 1.5±0.1mm OVER: 1.5±0.2mm	ISSUE	DATE	DESCRIPTIONS OF REVISION		APPD.
7						TITLE : VERTICAL SLIDE SWITCH		UNIT : mm	DRWG NO.: XJ-DR-SS12F43-00	
6	SPRING	STEEL WIRE	1	TEMPER	MODEL: SS-12F43	SCALE: 3 : 1	DWN.	ZHOUYU	2004-8-23	
5	CONTACT CLIP	COPPER STRIP	1	Ag PLATED			CHK'D	FANGYING	2004-8-23	
4	TERMINAL	BRASS STRIP	3	Ag PLATED OVER Ni PLATED	ALL MATERIALS MUST BE COMPLIANT TO ROHS	APPD.	KANGXINAN	2004-8-23		
3	BASE	PHENOLIC RESIN	1	NATURAL						
2	FRAME	STEEL STRIP	1	Ni PLATED						
1	KNOB	POM	1	BLACK						